

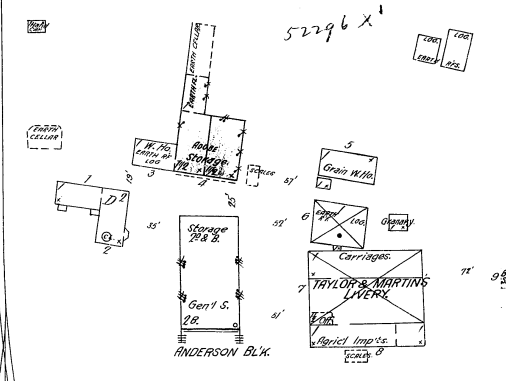
FOR FLOUR MILL SEE BELOW

Island

5769.

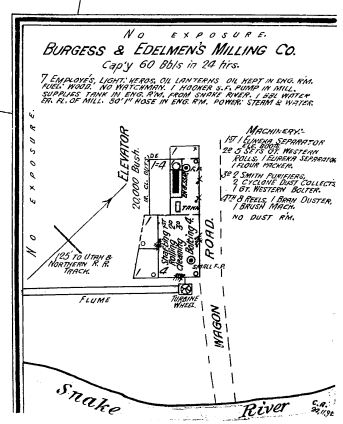


**NOTE.**  
 CITY WATER WORKS -  
 PROWLES NO 8 STEAM FORCE PUMP  
 125 HORSE POWER, 3000 GALLONS PER HOUR  
 WATER PRESSURE 35-50 POUNDS PER SQUARE INCH  
 40 MAIN DUCTS - 12 INCHES DIAMETER, 100 FEET LONG  
 4 CITY WATER METER STATIONS, 30 INCH DIAMETER  
 HOSE CART & 300 FEET COTTON HOSE



**KEY**

- RECTANGLES - FIRE WALLS ON ROOF
- SQUARES - FRAME PARTITION
- DIAGONALS - OPENING IN ROOF
- SPACES - SHUTTERS
- STABLES - STABLES
- WINDOWS - WINDOWS
- STAIRS - STAIRS
- DOORS - DOORS
- ROOF - ROOF
- WALLS - WALLS
- CEILING - CEILING
- FLOOR - FLOOR
- PAVING - PAVING
- CONCRETE - CONCRETE
- METAL - METAL



Scale of Feet.